

DIN RAIL ENCLOSURES

ACTIVE CNMB DIN Rail Enclosure

PCB
TERMINAL
BLOCKS

INTER-
CONNECTION

FUSES &
FUSE-
HOLDERS

LEDs &
INDICATORS

MINIATURE
SWITCHES

LIMIT &
SAFETY
SWITCHES

CONTROL
PRODUCTS

INTERFACE
MODULES &
SUPPORTS

RELAY
BASES

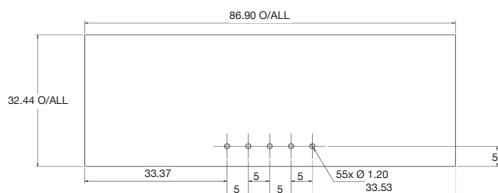
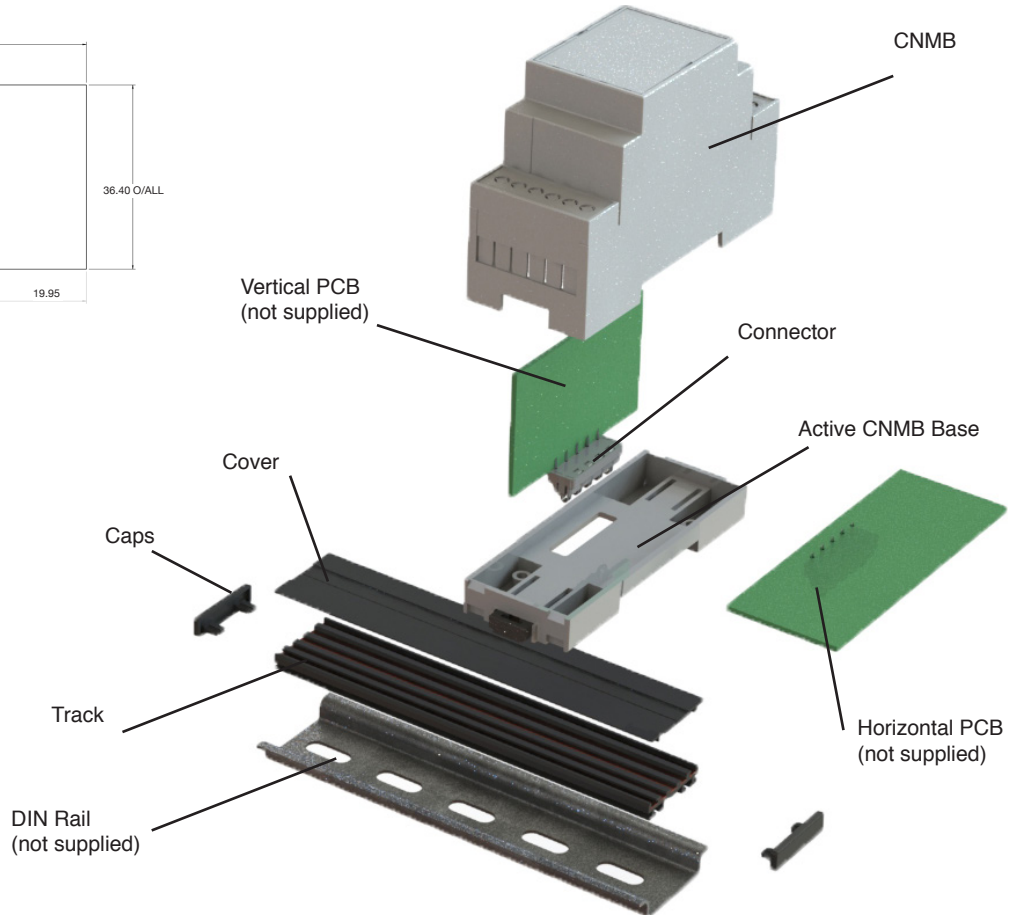
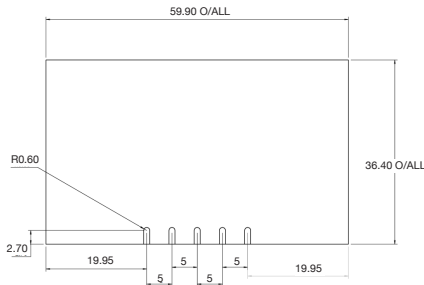
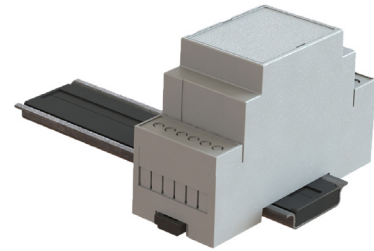
DIN RAIL
ENCLOSURES

BATTERIES

SOLAR
PANELS

TRANS-
FORMERS

- Connect multiple DIN Rail Enclosures together via powerable, user configurable "Active" tracks within the DIN Rail
- Quick and easy push contact connection
- Available for all CNMB, CDIB and CVB-Plus enclosures
- 5mm pitch
- Compatible with both vertical and horizontal PCBs
- Plastic Covers protect unused areas of tracking (easily cut to size with scissors or craft knife)
- End Caps provide further protection and a neat aesthetic finish



Kits

Kit includes, CNMB with ACTIVE base, grey cover, perforated and plain terminal guards and ACTIVE connector.
Track sets available as a kit.

CNMB	COVER	TERMINAL GUARDS	CONNECTOR
ACTIVE DIN	IPG	/TG508P	/TGS
CNMB/1/KIT/ACTIVEC	1	2	1
CNMB/2/KIT/ACTIVEC	1	2	1
CNMB/3/KIT/ACTIVEC	1	2	1
CNMB/4/KIT/ACTIVEC	1	2	1
CNMB/5/KIT/ACTIVEC	1	2	1
CNMB/6/KIT/ACTIVEC	1	4	2
CNMB/9/KIT/ACTIVEC	1	6	3
CNMB/12/KIT/ACTIVEC	1	8	4

We operate a constant improvement policy, our products are subject to change without notice.

+44 (0)1638 716101
info@camdenboss.com
www.camdenboss.com



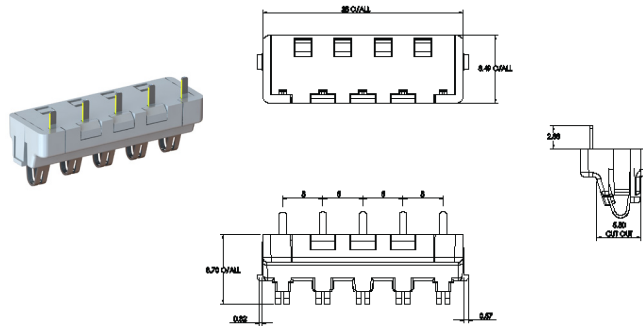
FM 28614 EMS 613558

DIN RAIL ENCLOSURES

ACTIVE CNMB DIN Rail Enclosure

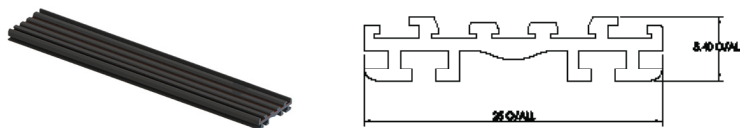
Active Connector

- Plastic Connector manufactured from Light Grey RAL 7035 PC UL94-V0
- Contacts manufactured from gold plated copper
- Contacts on 5mm pitch
- Not available separately



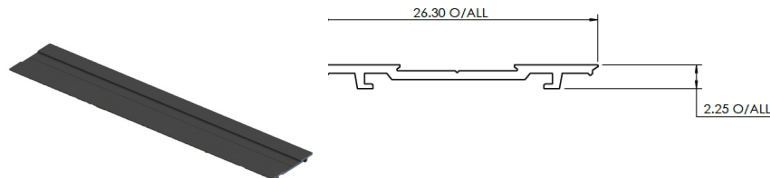
Active Track

- Plastic Extrusion manufactured from Black PVC UL94-V0
- 5 Active Tracks mounted on extrusion
- Voltage up to 63V, current up to 5A for each individual track
- Contact Tracks manufactured from tin plated copper
- Available in 250mm and 500mm lengths
- Available as kit



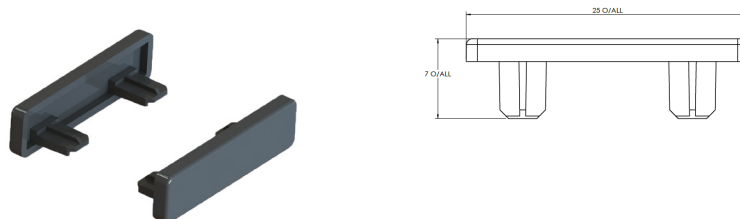
Active Cover

- Plastic Cover manufactured from black PVC UL94-V0
- Available in 250mm and 500m lengths



Active Ends

- Plastic End Caps manufactured from Black PVC UL94-V0



PART NO:	DESCRIPTION
CBACTCAPS	SET OF END CAPS (X2)

Active Track Kits

Includes:

- 1x Active Track
- 1x Active Cover
- 2x Active Ends

PART NO:	DESCRIPTION	250MM ACTIVE TRACK	500MM ACTIVE TRACK	250MM ACTIVE COVER	500MM ACTIVE COVER	ACTIVE ENDS (SET OF 2)
CBACTT250/KIT	250MM ACTIVE TRACK KIT	1		1		1
CBACTT500/KIT	500MM ACTIVE TRACK KIT		1		1	1



+44 (0)1638 716101
info@camdenboss.com
www.camdenboss.com

We operate a constant improvement policy, our products are subject to change without notice.

Ver 1.0
 Iss 1



PCB
 TERMINAL
 BLOCKS

INTER-
 CONNECTION

FUSES &
 FUSE-
 HOLDERS

LEDs &
 INDICATORS

MINIATURE
 SWITCHES

LIMIT &
 SAFETY
 SWITCHES

CONTROL
 PRODUCTS

INTERFACE
 MODULES &
 SUPPORTS

RELAY
 BASES

DIN RAIL
 ENCLOSURES

BATTERIES

SOLAR
 PANELS

TRANS-
 FORMERS